



Parts Manual

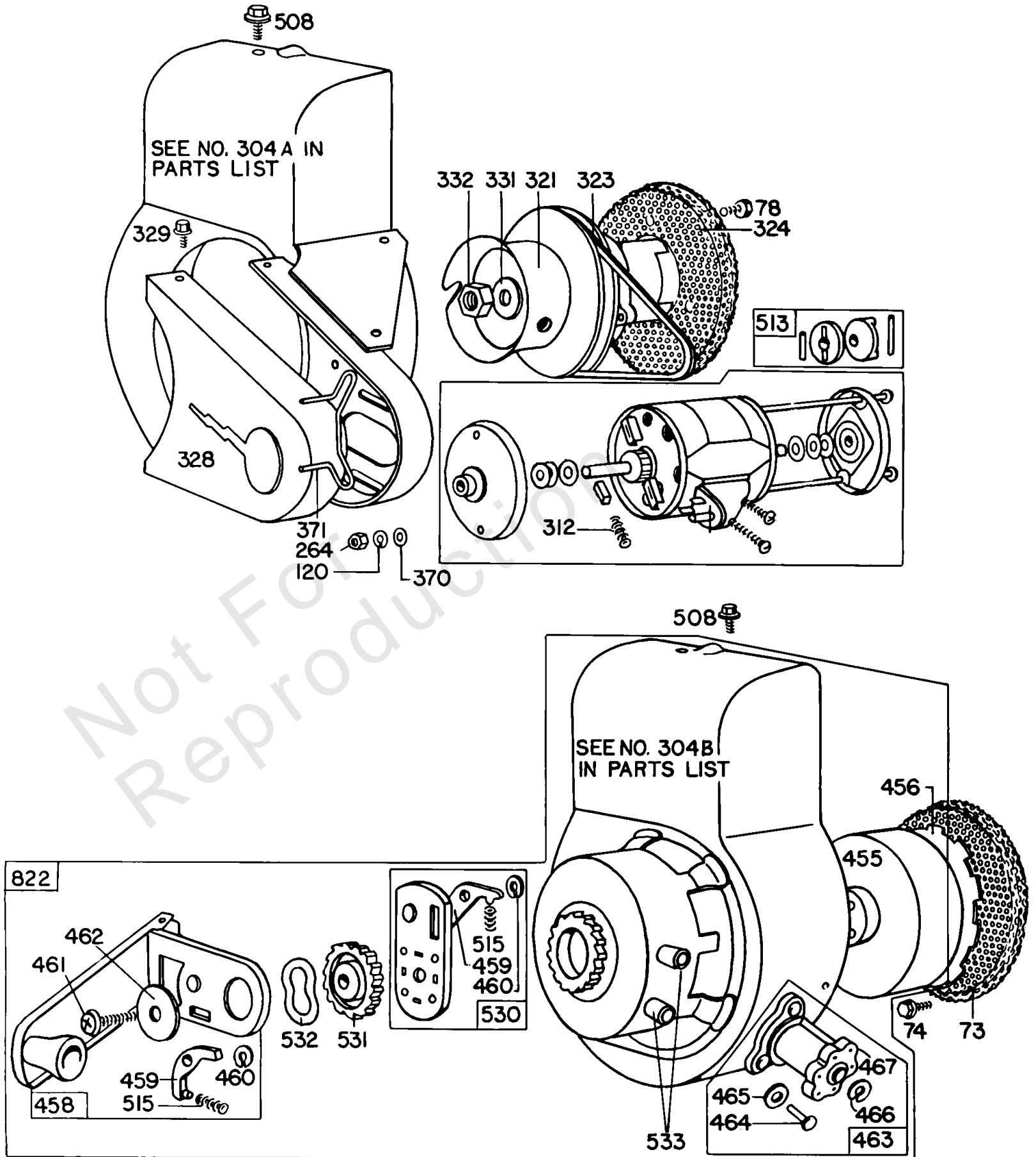
Mfg. No: 080202-0142-99

Model Components	Page
(2) Rewind Starter Assys.....	4
(2) Side Pull Carburetors.....	6
Air Cleaner Grps, Fuel Tank.....	10
BlowerHsg,Rewind,Flywheels.....	12
Cyl,Gear Case,Muffler,Piston.....	16
Replacement Engine.....	24

Not For
Reproduction

(2) Rewind Starter Assys.

Mfg. No: 080202-0142-99



(2) Rewind Starter Assys.

REF NO	PART NO	QTY	DESCRIPTION
73	220648		Screen-Starter Pulley -Used Before Code Date 6405250
73	221661		Screw-Rewind Starter -Used After Code Date 6405220
74	93490		Screw-Hex
78	93705		Screw, Tapping Hex (8-32 X 3/8)
120	92290		Lockwasher, Zinc Pl
264	90355		Nut, Hex Mach (10-32)
312	260404		Spring-Brush
321	210711		Pulley-Starter (Fits Crankshafts With 1/2-20 Thread)
323	67228		Belt-Vee
324	220648		Screen-Starter Pulley
328	221038		Guard-Belt
329	93705		Screw, Tapping Hex (8-32 X 3/8)
331	62577		Washer-Belleville (1/2" Hole) -For Washer with 5/8" Hole-Order No. 220865
332	91708		Nut-Flywheel (1/2-20 L.h. Thread) -For Flywheel Nut with 5/8-18 right hand thread-order No. 92284
370	66432		Washer, Steel Zinc
371	260275		Restrictor-Belt
455	296455		Cup/Spring (With Pinned Spring)
456	221222		Plate-Retainer
458	296305		Handle Assy.-Cranking
459	221332		Pawl/Ratchet
460	93272		Retainer-Ratchet Pawl
461	93231		Screw-Handle Mtg.
462	221237		Washer-Handle Mtg.
463	296445		Holder Assy.-Flywheel
464	93291		Rivet/Lock (2)
465	221226		Washer
466	93272		Retainer-Ratchet Pawl
467	211017		Knob-Control
508	93294		Screw, Sem (5/8" Long)
513	296567		Clutch Assy.-Electric Starter
515	260537		Spring-Single Acting Ratchet Pawl
530	296304		Housing Assy.-Pawl
531	230615		Ratchet-Top Starter
532	260500		Washer-Spring
533	67478		Knob-Stop
822	296732		Starter Assy.-Wind

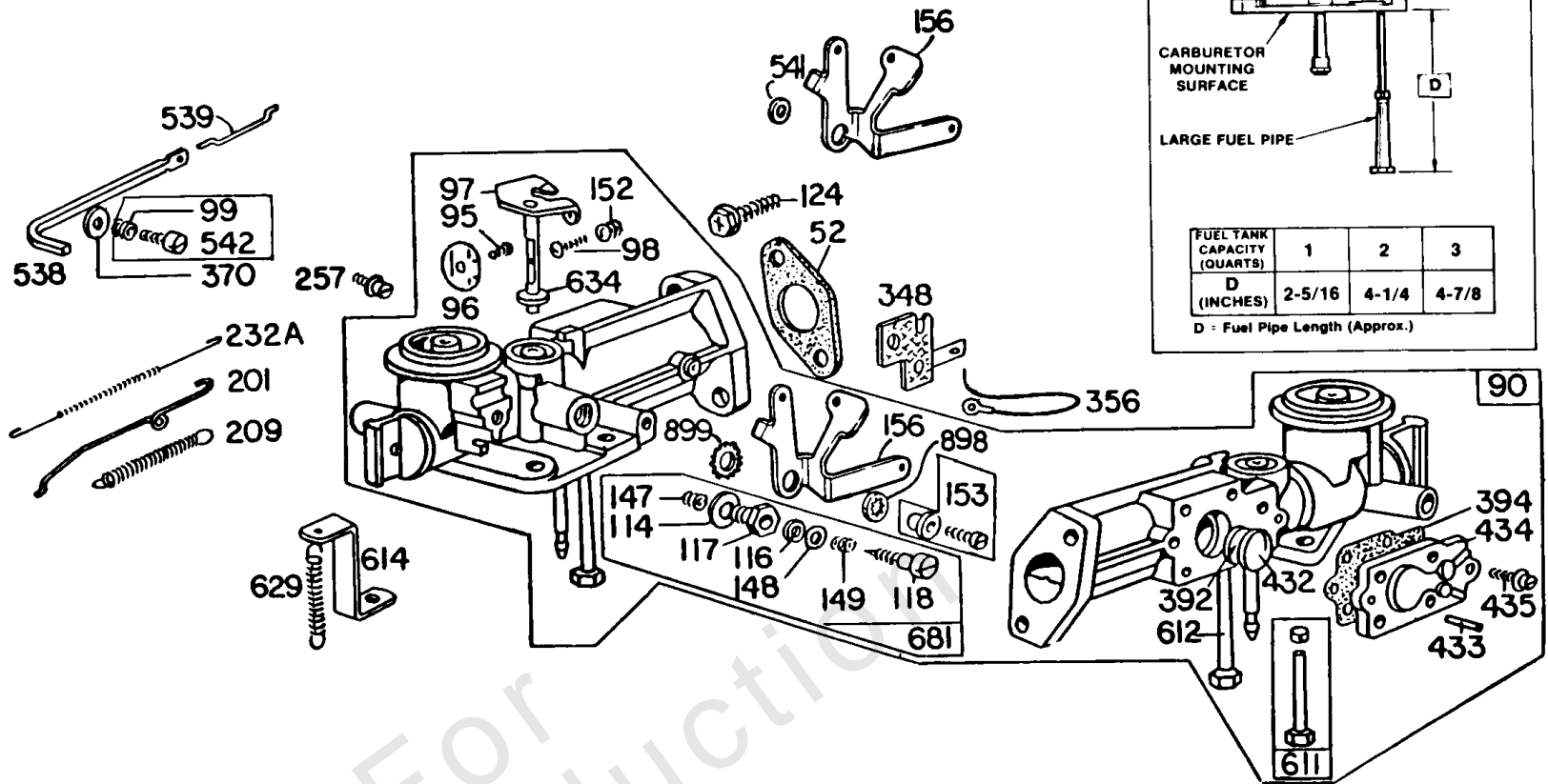
Footnotes:

on cables molded into ignition coil
Do Not Use with 260898 Gov. Link (Ref. 201)

(2) Side Pull Carburetors

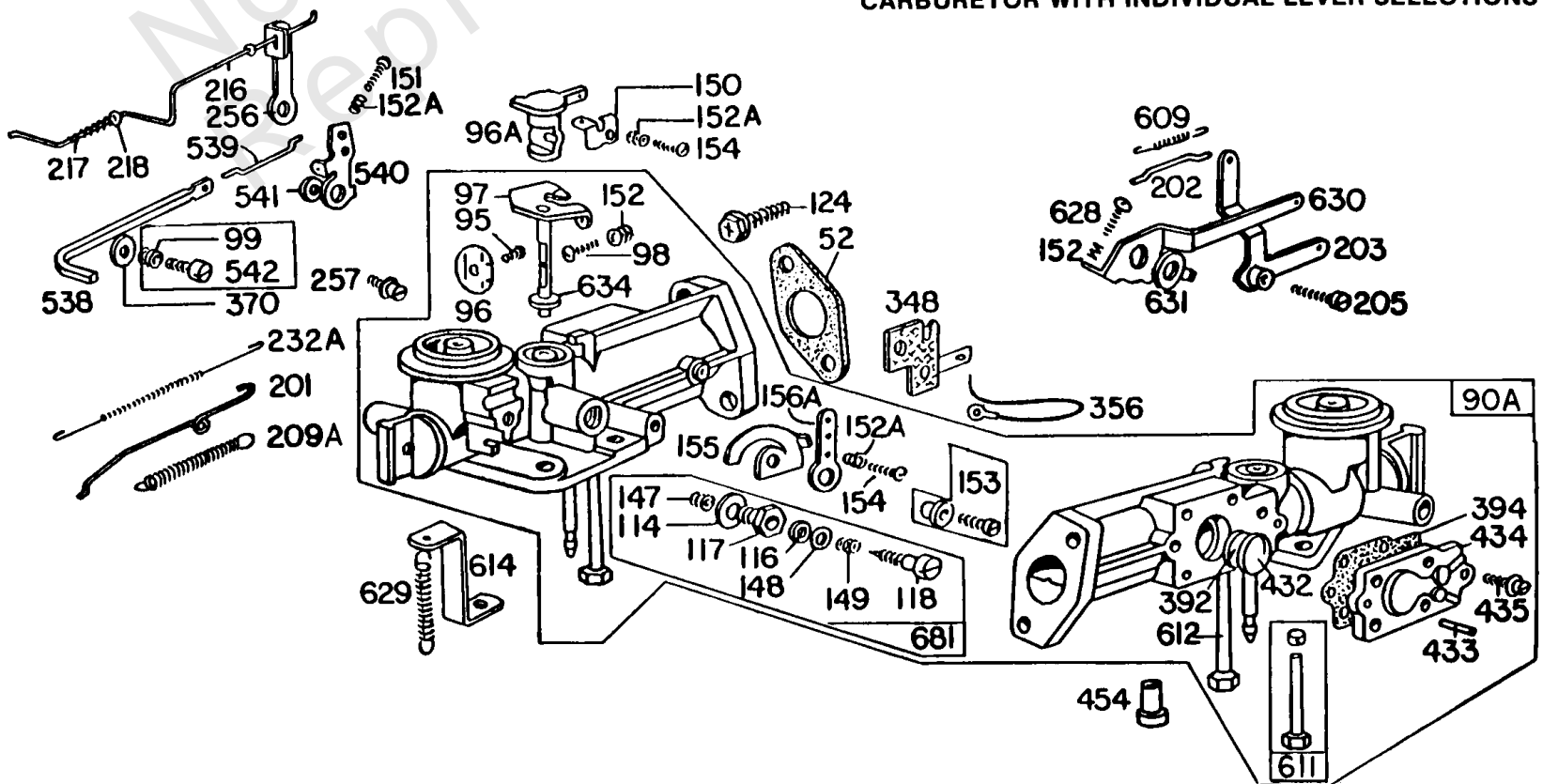
Mfg. No: 080202-0142-99

CARBURETOR WITH MULTI-PURPOSE SPEED ADJUSTER LEVER



GENERAL NOTE: WHEN ORIGINAL CARBURETOR DOES NOT MATCH THE ABOVE ILLUSTRATION (REF. 90), ORDER PARTS FROM LOWER ILLUSTRATION (REF. 90A).

CARBURETOR WITH INDIVIDUAL LEVER SELECTIONS



(2) Side Pull Carburetors

REF NO	PART NO	QTY	DESCRIPTION
52	27355		Gasket, Intake Elbo (2) -Included in Gasket Set-Part No. 297275
90A	297918		Carburetor (Manual Choke) (2 Quart)
90A	296799		Carburetor (Choke-A-Matic) (2 Quart)
90	393975		Carburetor (For 1 Quart Tank)
90	393976		Carburetor (Manual Choke) (2 Quart) -All Carburetors listed under Ref. 90 use 222955 Ref. 156 Lever.
90	393977		Carburetor (Manual Friction) (3 Quart)
95	93499		Screw, Sem Pan Head (Throttle Valve)
96A	211067		Throttle-Carburetor
96	211203		Valve-Throttle
97	297961		Shaft-Throttle
98	93524		Screw-Slotted (5-40 X 1/2")
99	393586		Screw/Spring Grp
114	66594		Sealing Washer (Needle Valve)
116	65978		Seal, O-Ring (Needle Valve)
117	230590		Nut, Hex
118	23433		Valve-Needle
124	93357		Screw-Sem, Phillips Hex. Hd.
147	230591		Seat-Needle Valve
148	22235		Washer, Brass
149	26336		Spring-Needle Valve
150	220105		Connector-Governor Link
151	93527		Screw, Tapping Roun (5-40 X 5/8")
152A	260575		Spring-Throttle Adjustment
152	260746		Spring-Throttle Adjustment
153	230531		Collar-Bell Crank
153	298031		Screw-Carburetor Lever
153	93177		Screw-Bell Crank Mounting
153	93342		Screw-Self Tapping
154	93527		Screw, Tapping Roun (5-40 X 5/8")
155	220107		Cam-Speed Adjuster
156A	220949		Lever-Speed Adjuster -For 220952 Lever-Speed Adjuster, see Ref. No. 256
156	222955		Lever-Speed Adjuster
201	260898		Link-Governor
202	260563		Link-Throttle -Used only on Mechanical Governor
203	297069		Crank-Bell
205	230671		Screw-Bell Crank Mtg.
209A	260545		Spring-Gov. -Used Before Code Date 6602121
209	260041		Spring-Governor
216	260449		Link-Choke
217	260189		Spring-Friction
218	221198		Washer, Steel Zinc
232A	260585		Spring-Link -Used Before Code Date 6602121
256	220952		Lever-Speed Adjustment

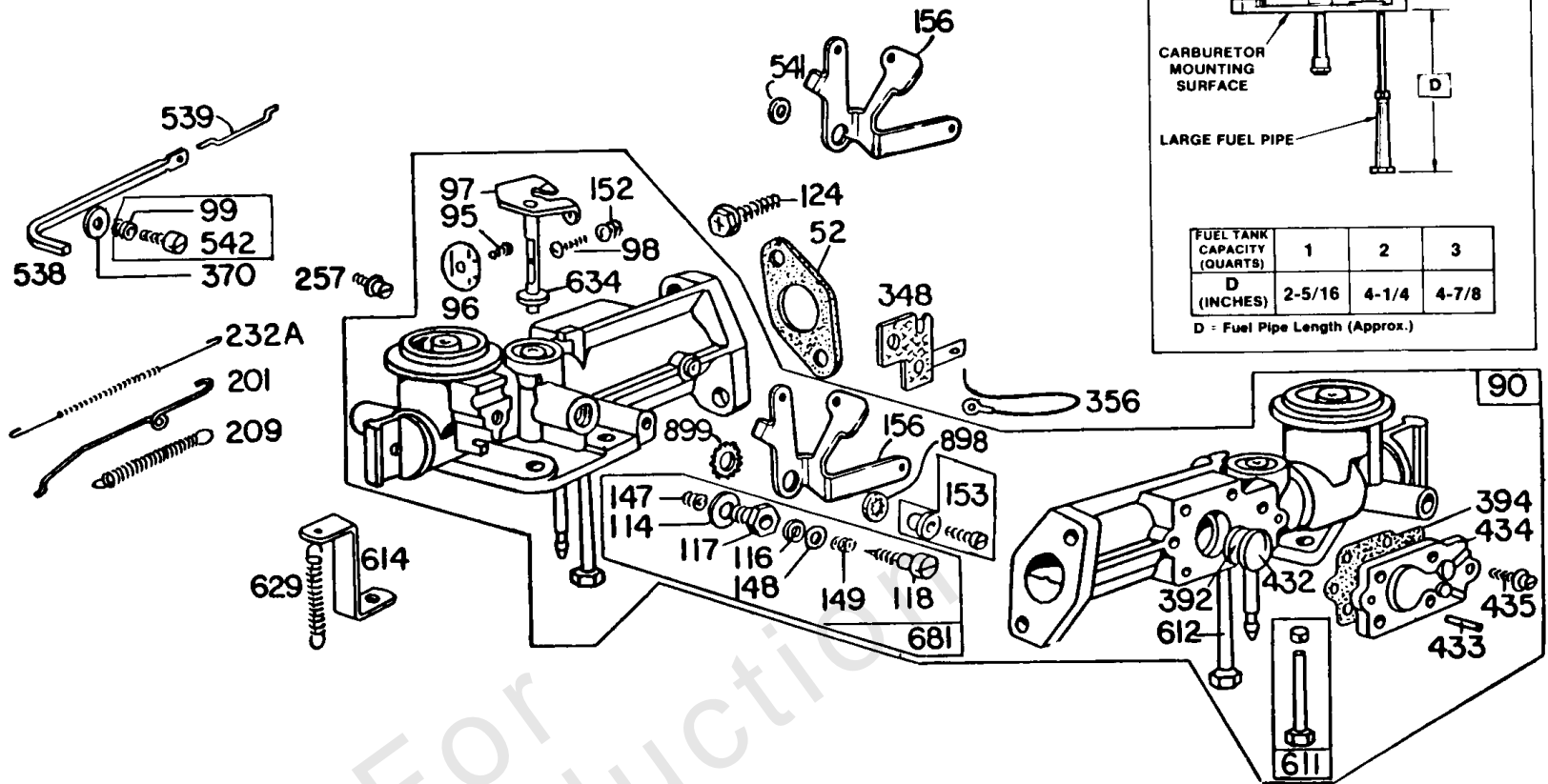
Footnotes:

on cables molded into ignition coil
Do Not Use with 260898 Gov. Link (Ref. 201)

(2) Side Pull Carburetors

Mfg. No: 080202-0142-99

CARBURETOR WITH MULTI-PURPOSE SPEED ADJUSTER LEVER



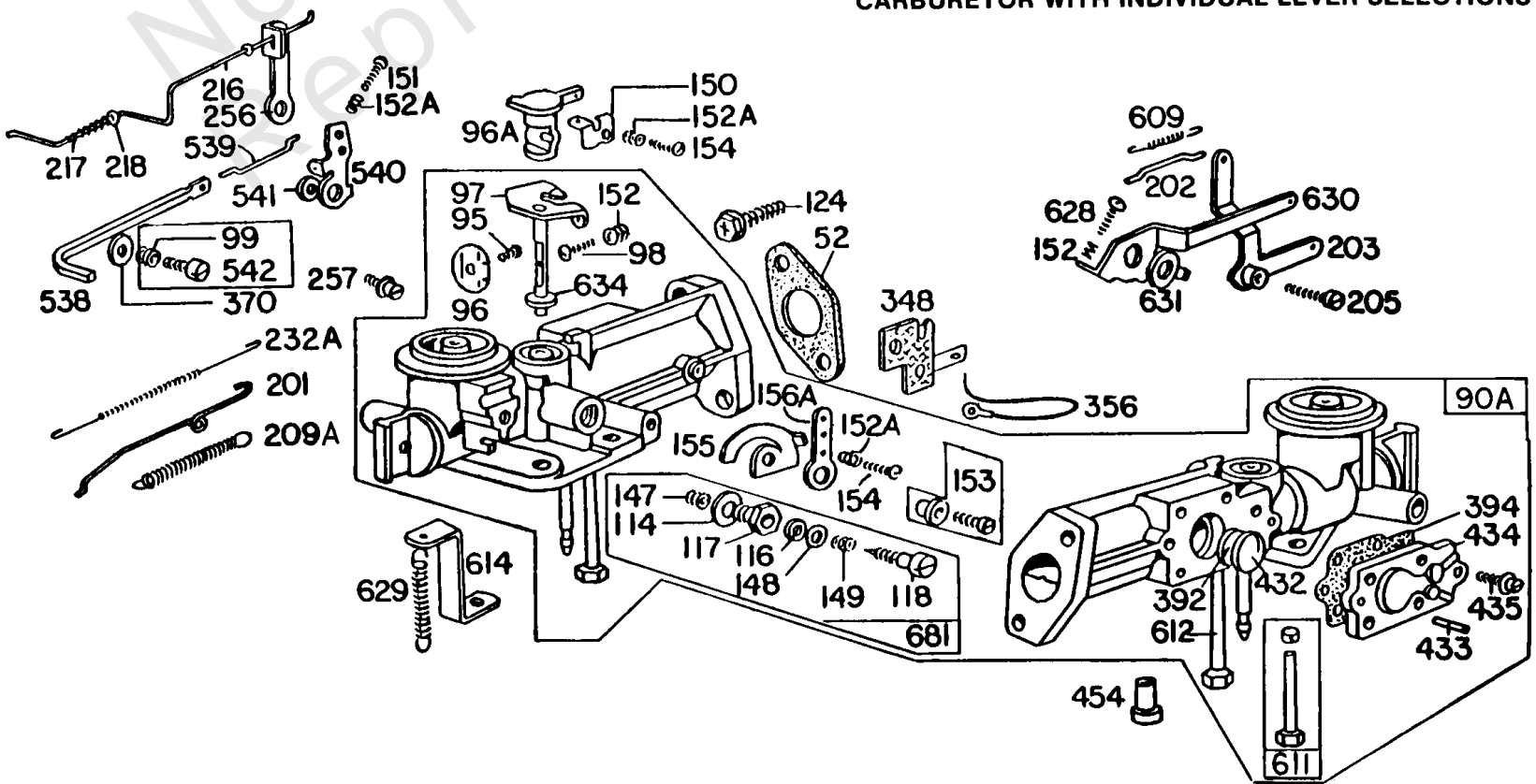
To replace carburetor assembly, determine fuel tank capacity as shown

FUEL TANK CAPACITY (QUARTS)	1	2	3
D (INCHES)	2-5/16	4-1/4	4-7/8

D - Fuel Pipe Length (Approx.)

GENERAL NOTE: WHEN ORIGINAL CARBURETOR DOES NOT MATCH THE ABOVE ILLUSTRATION (REF. 90), ORDER PARTS FROM LOWER ILLUSTRATION (REF. 90A).

CARBURETOR WITH INDIVIDUAL LEVER SELECTIONS

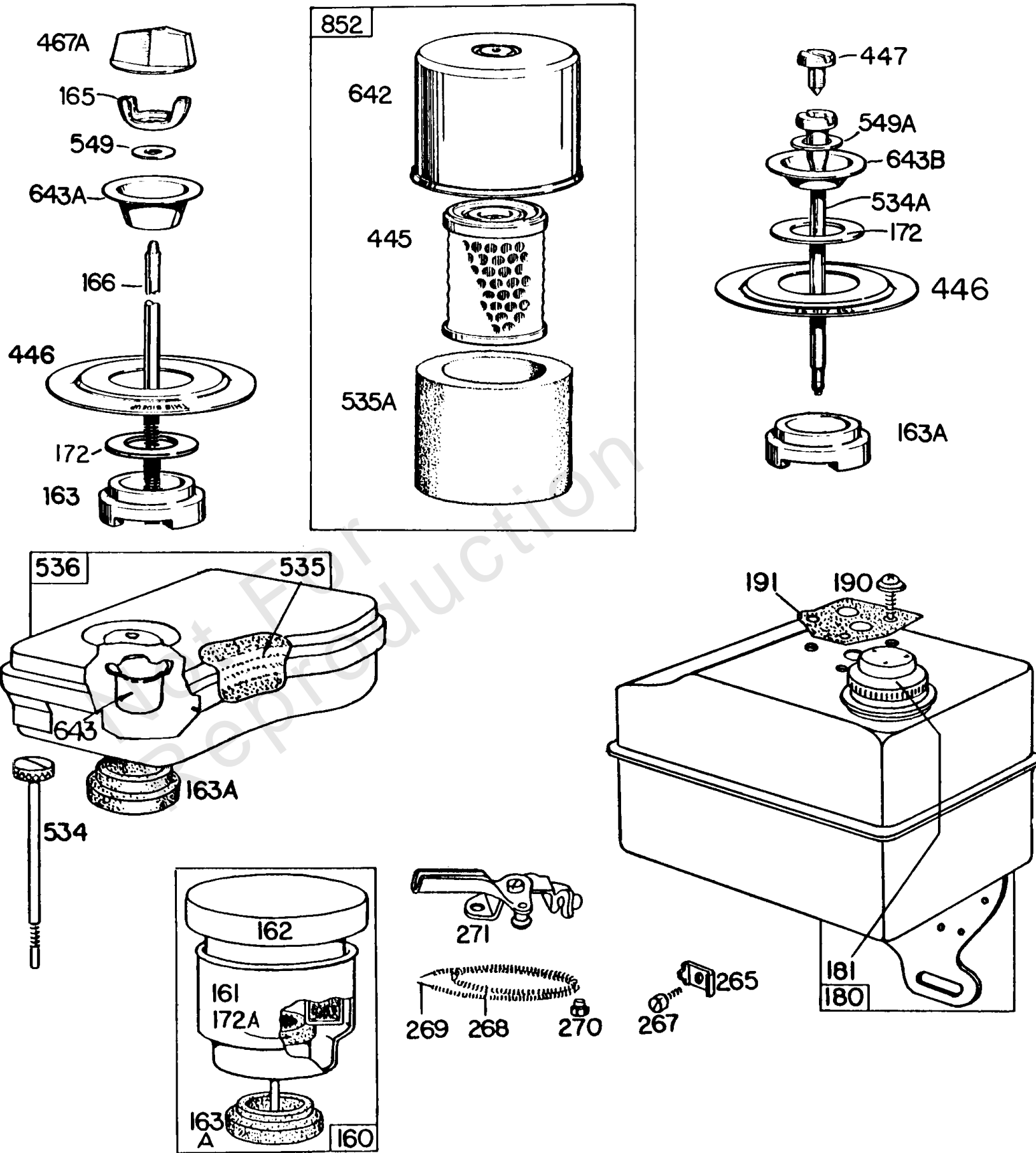


(2) Side Pull Carburetors

REF NO	PART NO	QTY	DESCRIPTION
257	93105		Screw, Sem Hex Head
257	93543		Screw, Sem Hex Head (10-32 X 3/8")
348	296110		Switch-Stop
356	296185		Wire, Stop Switch A Used On Choke-A Carburetors
356	391115		Wire-Ground
370	66432		Washer, Steel Zinc
392	260455		Spring-Pump Diaphragm
394	270026		Diaphragm-Pump
432	221377		Cap-Spring
433	93265		Pin-Roll
434	210959		Cover-Diaphragm
435	93141		Screw, Sem Filliste (Diaphragm Cover)
454	296178		Filter-Fuel (For 3/16" O.d. Brass Pipe)
454	393768		Housing-Fuel Pipe Screen (For 1/8" O.d. Brass Pipe Only)
538	260683		Rod, Control (Square Rod) -For Round Wire Rod order: 260560 Rod-Speed Control
539	260684		Link, Governor (Used Only With Square Rod)
540	220678		Lever-Speed Adjuster
541	22398		Washer, Steel Zinc
542	221372		Clip, Rod -Used only with Round Wire Control Rod
542	393586		Screw/Spring Grp
542	93686		Screw, Hex Head Tap (10-32 X 5/8")
609	260564		Spring-Throttle Link -Used on Mechanical Governor
611	391813		Tube-Pick Up (For 2 And 3 Quart Tanks)
612	296811		Pipe/Sleeve Assy
614	221384		Strap-Control Rod
628	93149		Screw-Slotted (5-40 X 3/8")
629	260546		Spring-Throttle Return
630	221425		Arm-Throttle Control
631	221427		Washer-Throttle Control Arm
634	270167		Washer (Felt)
681	299060		Valve-High Speed (Threaded)
898	92507		Lockwasher, Interna
899	93397		Lockwasher, Externa

Footnotes:

on cables molded into ignition coil
Do Not Use with 260898 Gov. Link (Ref. 201)

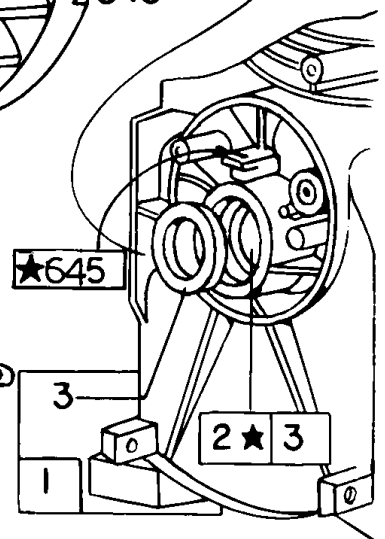
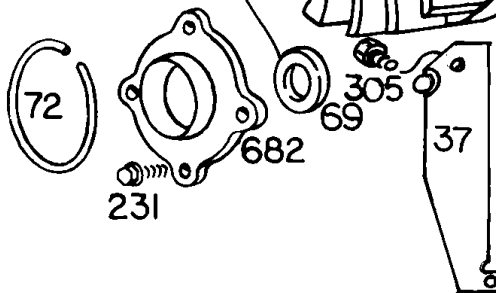
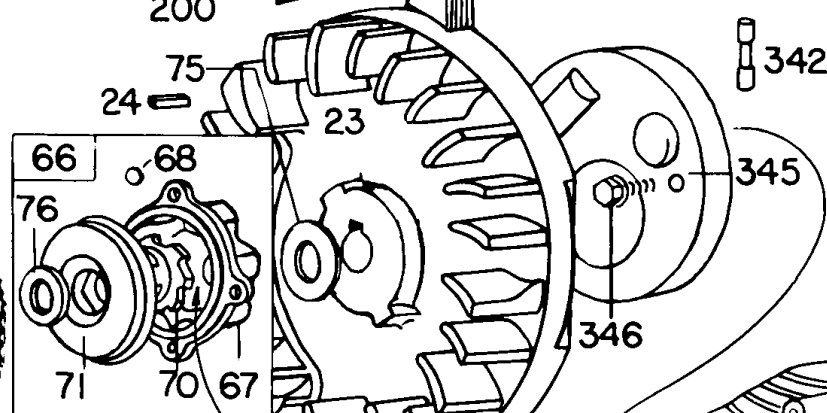
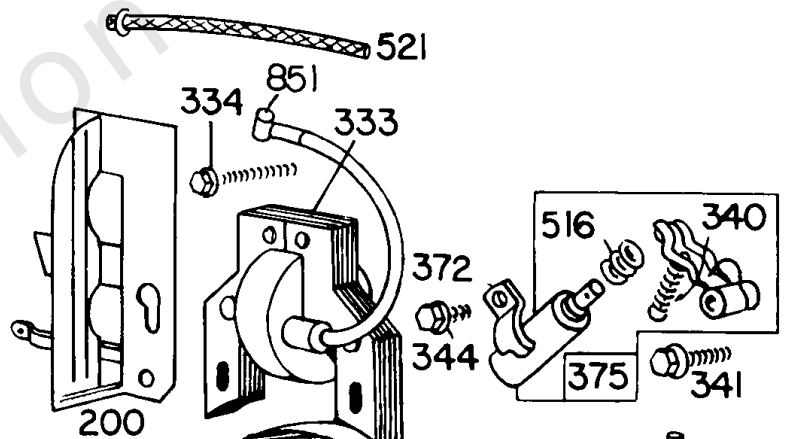
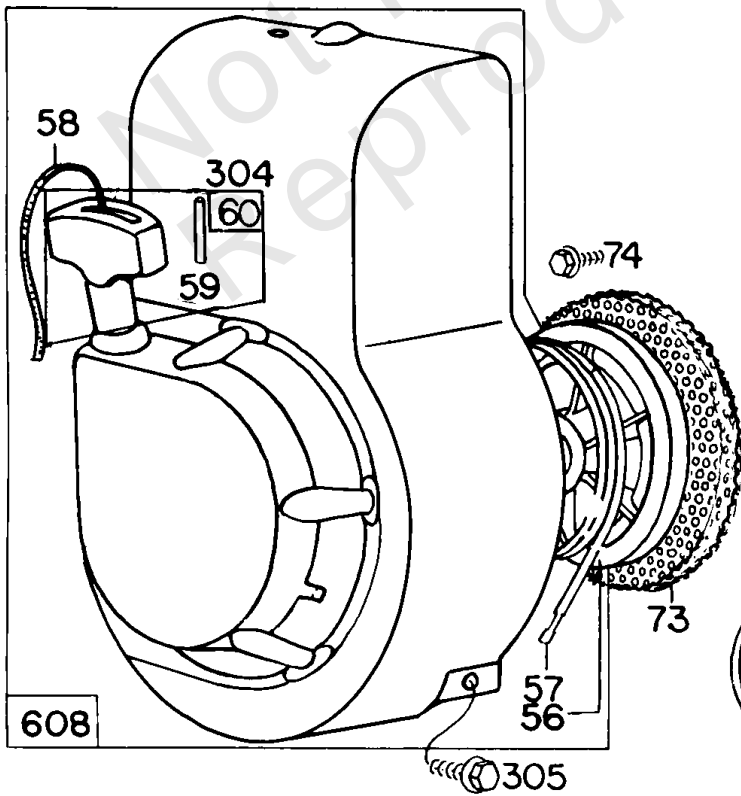
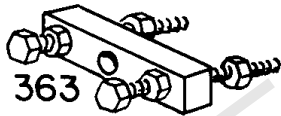
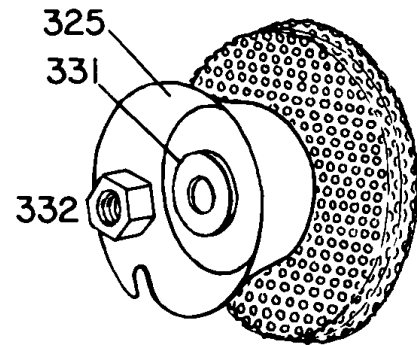
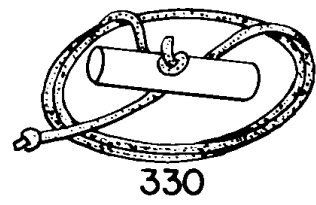
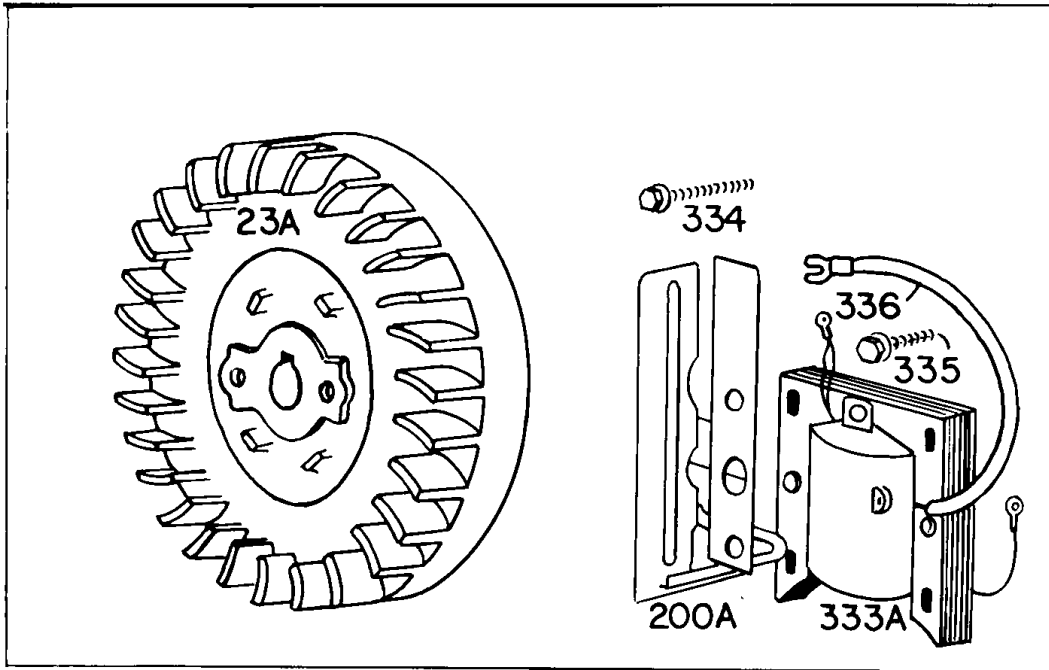


Air Cleaner Grps, Fuel Tank

REF NO	PART NO	QTY	DESCRIPTION
160	294870		Air Cleaner (Includes Mounting Stud)
161	293991		Bowl-Air Cleaner
162	294861		Cover-Air Cleaner (With Mounting Stud)
163A	27660		Gasket-Air Cleaner Mtg.
163	270488		Gasket, Air Cleaner (Identified By Yellow Coating)
165	93856		Nut-Wing (#10-32)
166	231176		Stud-Air Cleaner (3/16" Stud)
172A	27795		Gasket-Air Cleaner
172	271077		Spacer-Air Cleaner
180	296591		Tank Assy.-Fuel (2 Quart)
181	297863		Cap-Fuel Tank
190	93440		Screw, Sem Pan Hd C
191	27911		Gasket, Tank Mounti (Used With Pull Choke Carburetors) -Engines using 3 Quart tank Nos. 296592, and 391353 require (2) gaskets. Included in Gasket Set-Part No. 297275
265	221370		Clamp-Casing
267	93496		Screw, Sem Hex Head (10-32 X 5/8")
268	66986		Casing, Wire (48" Cut To Required Length) -If longer casing is needed, specify length in inches; if a shorter casing is needed order No. 66986 and cut to required length.
269	26099		Wire, Control (54" Cut To Required Length) -If longer wire is needed, specify length in inches; if shorter wire is needed order No. 26099 and cut to required length.
270	63426		Nut, Hex
271	290568		Lever-Control
445	392308		Filter-Air
446	222844		Base-Air Cleaner
447	93913		Screw-Slotted
467A	212293		Knob-Choke Rod
534A	93818		Screw, Air Cleaner
534	230058		Stud-Air Cleaner
534	230741		Stud-Air Cleaner
534	93322		Screw-Slotted (1-15/16" Long)
534	93568		Screw-Air Cleaner
535A	270979		Element-Air Cleaner
535	27987		Filter-A/c Element
535	390492		Filter-Air -Uses: 390588 Cover-Air Cleaner 221969 Support-Air Cleaner
536	296766		Cleaner-Air (For 3/16" Screw)
549A	270978		Washer -(Below Internal Screw Head)
549	271118		Washer
642	222626		Cover-Air Cleaner
643B	222594		Support-Foam Elemen (1/4" Deep)
643A	222845		Support-Foam Elemen (1/2" Deep)
643	222991		Cup-Air Cleaner
852	392368		Cleaner-Air -Dual Element Air Cleaner Kit Part No. 393018

Footnotes:

on cables molded into ignition coil
Do Not Use with 260898 Gov. Link (Ref. 201)



***REQUIRES SPECIAL TOOLS TO INSTALL**

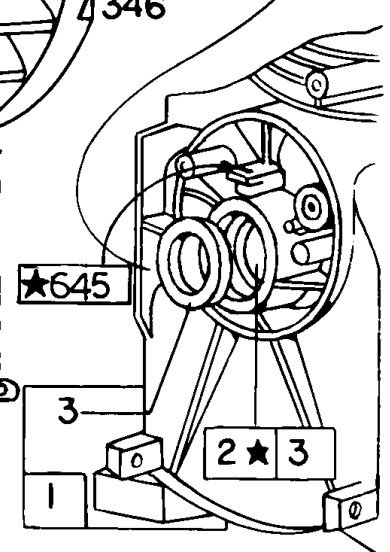
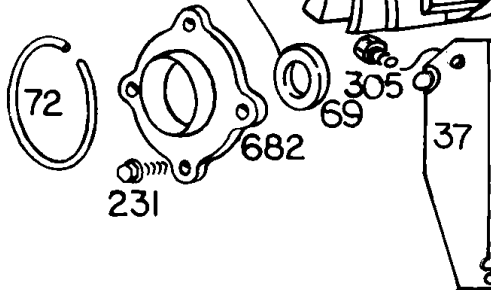
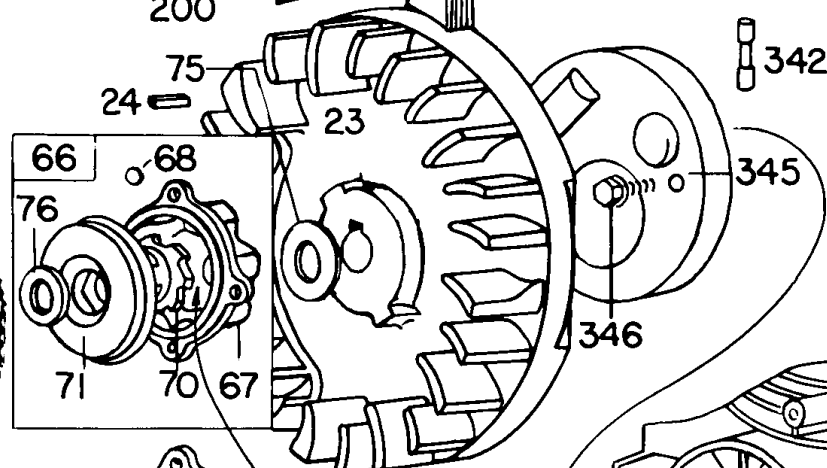
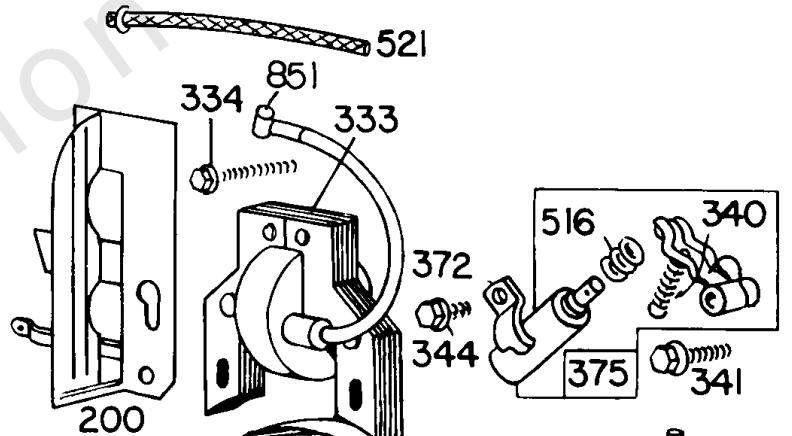
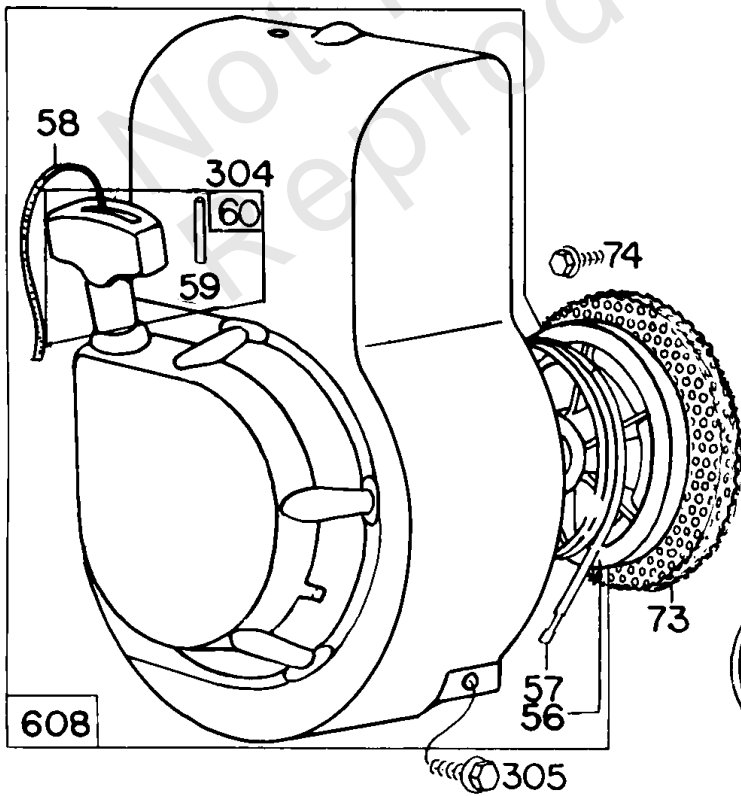
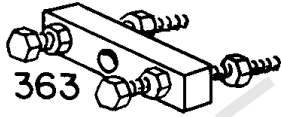
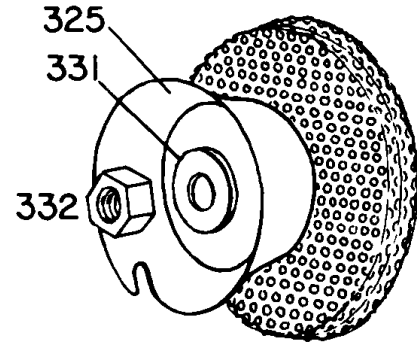
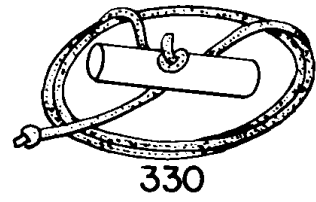
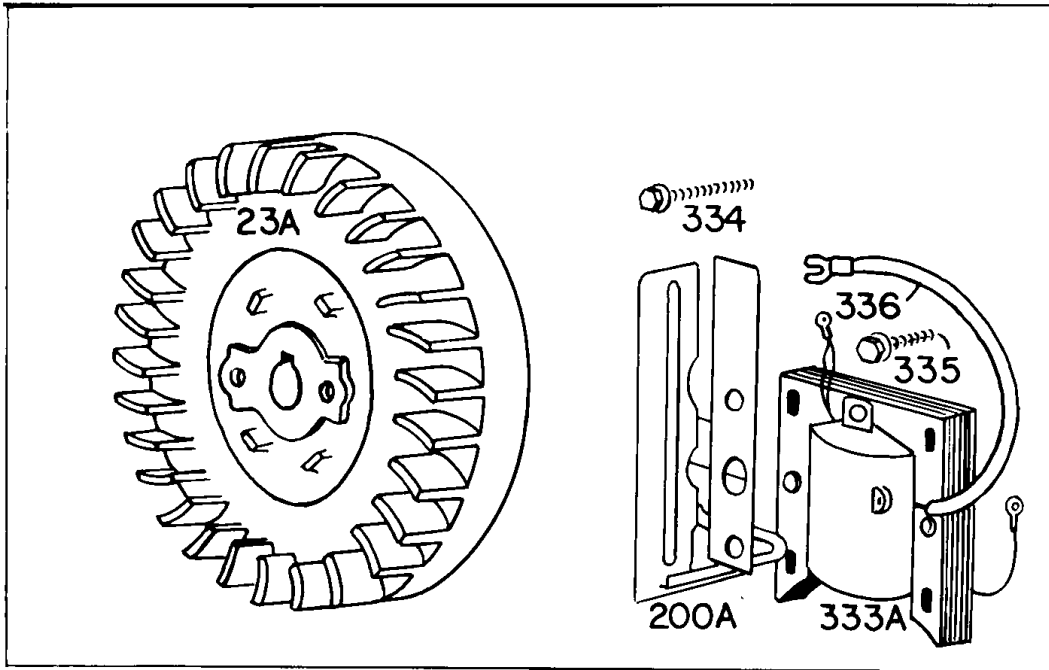
SEE REPAIR INSTRUCTION MANUAL

BlowerHsg,Rewind,Flywheels

REF NO	PART NO	QTY	DESCRIPTION
1	296561		Cylinder Assembly
1	296610		Cylinder Assembly
2	293708		Bushing/Seal Kit (Plain Bearing) -Requires special tools for installation.
3	299819		Seal, Oil (Plain Bearing Covers)
23A	295936		Flywheel-Magneto -Used Before Code Date 6212310
23	296884		Flywheel-Magneto -Used After Code Date 6212310
24	61760		Key, Flywheel (For Breaker Ignition System)
37	220971		Guard-Flywheel
56	280117		Pulley-Starter -Used After Code Date 6506301
56	294088		Pulley-Rewind Starter -Used Before Code Date 6507011
57	294303		Spring-Rewind Starter
58	395022		Rope/Grip Kit (47-1/8" Long) -If longer rope is needed, order No. 66684 or No. 66514 and cut to required length. -Used After Code Date 6506301 and Before Code Date 6507011
58	66694		Rope-Starter (47-1/8" Long) -Used After Code Date 6506301
59	230228		Pin-Starter Rope
60	393152		Insert-Starter Handle
61	68618		Bumper-Str Pull -(Used with Steel Pulley only)
66	298798		Clutch Assy.-Rewind Starter -Used Before Code Date 6405250
67	210400		Housing-Starter Clutch -Used Before Code Date 6405250
67	212131		Housing-Str. Clutch -Used After Code Date 6405220
68	63770		Ball-Clutch
69	66718		Washer, Thrust (1-1/16" O.d. X 17/32" I.d.)
70	298799		Ratchet Assy -(For engine W/Ring Gear on FW equipped for Elec Start)
71	221301		Washer -Used Before Code Date 6405220
71	221653		Washer, Steel (Non-Coated) -Used After Code Date 6405220
72	26032		Spring-Clutch Retainer-Washer -Used Before Code Date 6405220
73	220648		Screen-Starter Pulley -Used Before Code Date 6405250
73	221661		Screw-Rewind Starter -Used After Code Date 6405220
74	93490		Screw-Hex
75	220865		Washer, Belleville (Used With Heavy Flywheel)
76	270045		Washer-Sealing -Used Before Code Date 6405250
200A	294298		Blade-Governor -Used Before Code Date 6212310

Footnotes:

on cables molded into ignition coil
Do Not Use with 260898 Gov. Link (Ref. 201)
Only on Mechanical Governor



*** REQUIRES SPECIAL TOOLS TO INSTALL**

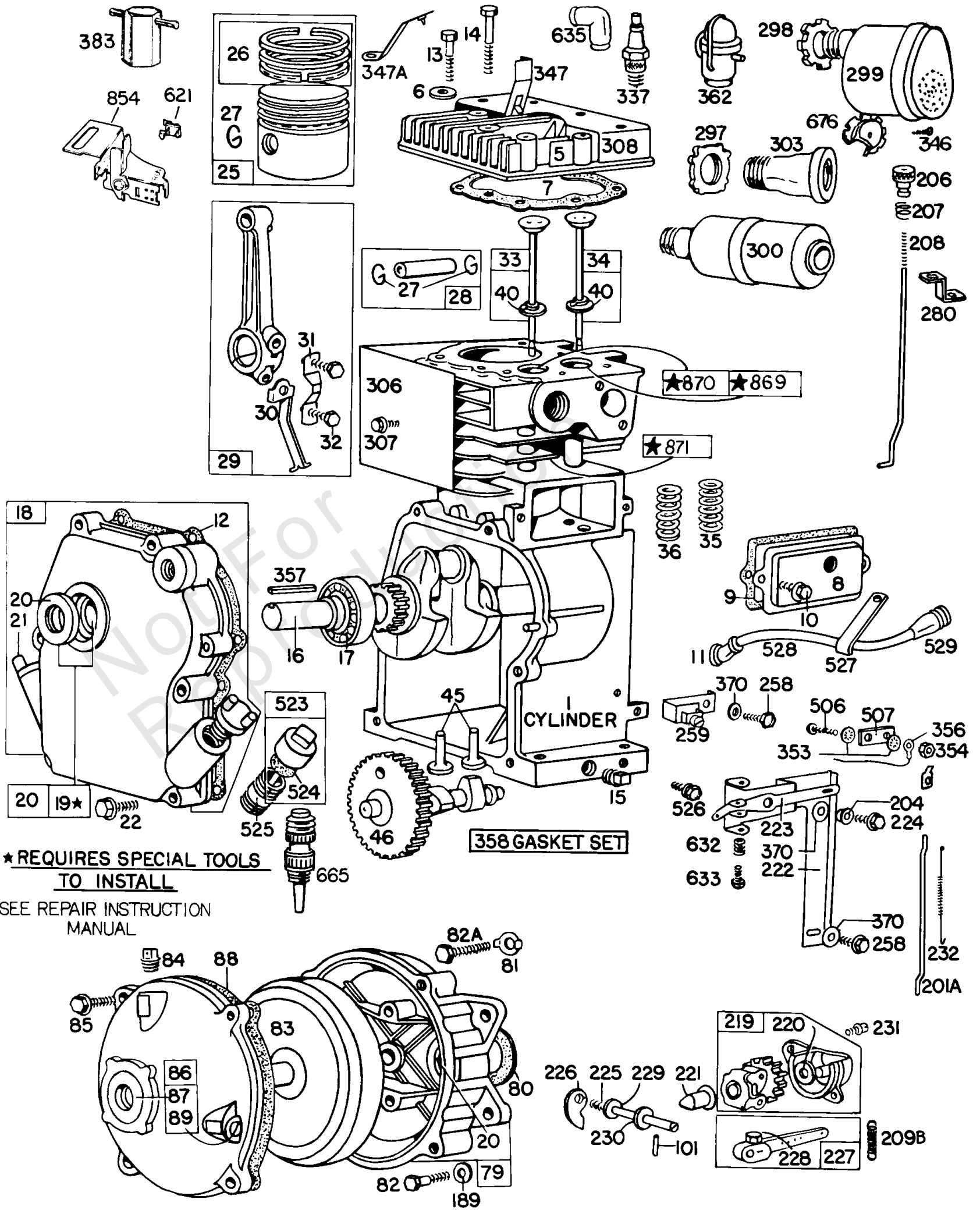
SEE REPAIR INSTRUCTION MANUAL

BlowerHsg,Rewind,Flywheels

REF NO	PART NO	QTY	DESCRIPTION
200A	220692		Guide-Air -Used Before Code Date 6212310
200	221456		Guide-Air -Used Before Code Date 6212310
200	297310		Blade-Governor -Used After Code Date 6212310
231	93064		Screw-Sem
304	-----		No Nomenclature -For Type Nos. Not listed below, see Ref. No. 608
305	93158		Screw, Sem Hex Head (1/4-20 X 5/8")
325	293959		Pulley-Rope Start (1/2" Hole In Pulley) -For Pulley with Screen with 5/8" hole in Pulley-order No. 298731
330	395022		Rope/Grip Kit (47-1/8" Long)
331	62577		Washer-Belleville (1/2" Hole) -For Washer with 5/8" Hole-Order No. 220865
332	91708		Nut-Flywheel (1/2-20 L.h. Thread) -For Flywheel Nut with 5/8-18 right hand thread-order No. 92284
333A	291617		Armature-Mag -Used Before Code Date 6212310
333	298502		Armature-Mag (For Points And Condenser) -Used After Code Date 6212310
334	93381		Screw, Machine Hex
335	93381		Screw, Machine Hex
336	292149		Cable-Ignition (Std.) -This group of Ignition cables including No. 292149 is used on engines when cable is not molded into the coil.
340	26018		Spring-Breaker Arm
341	93381		Screw, Machine Hex
342	65704		Plunger-Breather Point
344	93042		Screw, Sem Hex Head
345	220366		Cover-Breather Point And Condenser
346	93705		Screw, Tapping Hex (8-32 X 3/8)
363	19069		Puller-Flywheel (Optional Accessory)
372	220477		Clamp-Condensor
375	294628		Breaker Points And Condensor Set
375	299061		Ignition Kit -Includes: 294628 Point Set 65704 Plunger 61760 Key-Flywheel
516	260374		Condenser Spring
608	296894		Blower Housing/Star (1:30 O'clock)
645	23513		Bushing-Plunger -(Used only with Breaker Point Ignition)
682	211516		Shield-Starter Clutch
851	221798		Terminal-Spark Plug

Footnotes:

on cables molded into ignition coil
Do Not Use with 260898 Gov. Link (Ref. 201)
Only on Mechanical Governor



★ REQUIRES SPECIAL TOOLS TO INSTALL

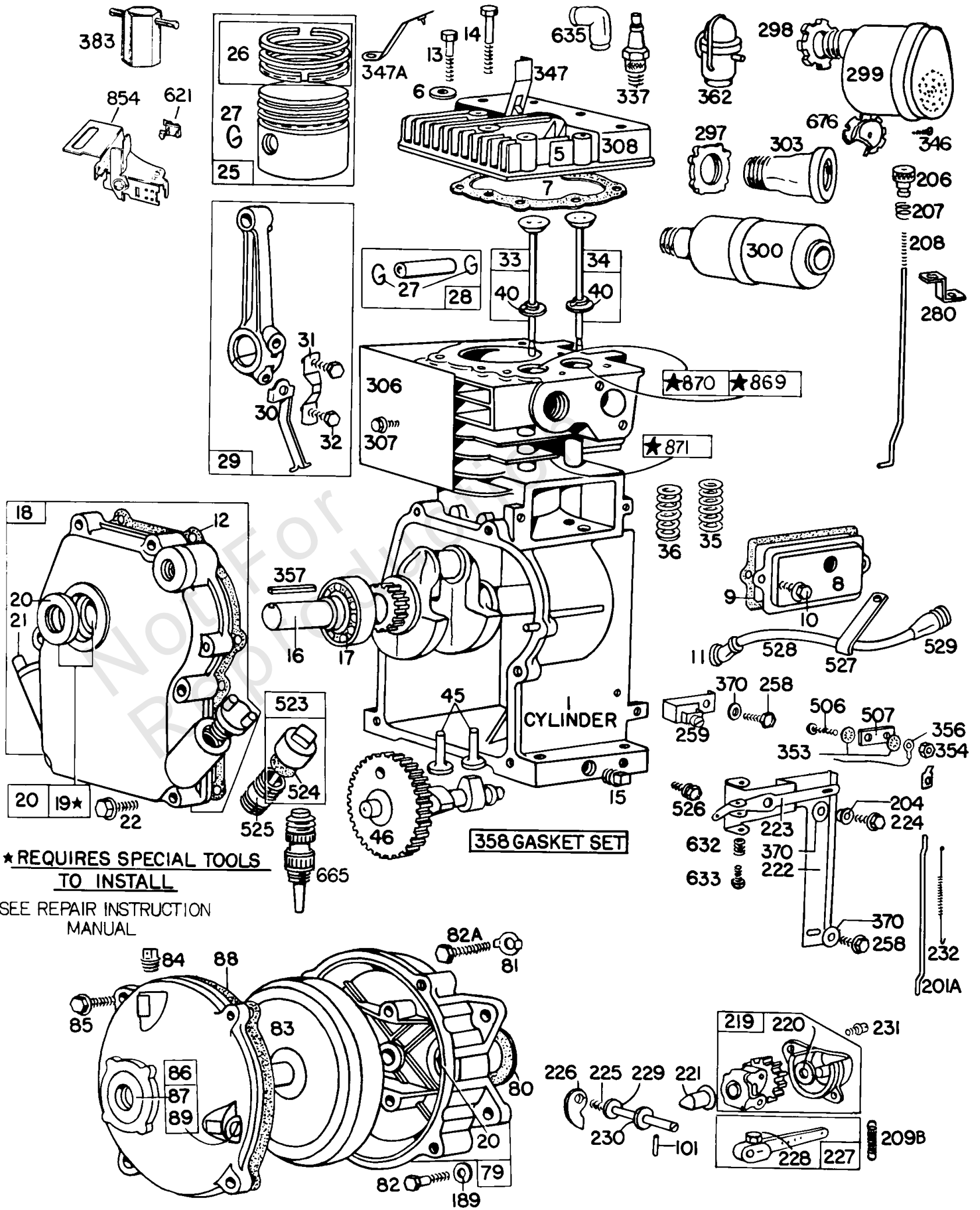
SEE REPAIR INSTRUCTION MANUAL

Cyl, Gear Case, Muffler, Piston

REF NO	PART NO	QTY	DESCRIPTION
1	296561		Cylinder Assembly
1	296610		Cylinder Assembly
5	210812		Head-Cylinder
6	22963		Washer, Flat
7	27670		Gasket-Cylinder Head -Included in Gasket Set-Part No. 297275
8	294178		Cover-Breather
9	27549		Gasket, Valve Cover -Included in Gasket Set-Part No. 297275
10	93394		Screw
11	66578		Tube-Breather
12	270833		Gasket, Crankcase (.015") -Included in Gasket Set-Part No. 297275
12	270895		Gasket-Crkcase (.005")
12	270896		Gasket-Crkcase (.009") -Included in Gasket Set-Part No. 297275
13	93111		Screw, Machine Hex (15/16" Long)
13	93583		Stud, Cylinder Head
14	93113		Screw, Machine Hex (2-5/16" Long)
14	93583		Stud, Cylinder Head
15	91249		Plug, Pipe (Standar (1/4" Square)
16	260932		Crankshaft
16	261128		Crankshaft
17	99158		BEARING, Ball
18	298511		Cover-Crankcase -Used Before Code Date 81120900
18	392975		Cover Assy.-Crankcase -Used Before Code Date 81120900
18	394820		Crankcase Cover (Plain Bearing Cover) -Used After Code Date 81120800
18	394879		Cover-Crankcase -Used After Code Date 81120800
18	394909		Cover-Crankcase -Used After Code Date 81120800
18	395259		Cover-Crankcase -Used After Code Date 81120800
19	293708		Bushing/Seal Kit (Plain Bearing) -Bushings require special tools for installation.
20	299819		Seal, Oil (Plain Bearing Covers)
20	393812		Seal-Oil
21	66768		Plug, Oil Fill
22	93032		Screw-Tank Mounting
22	93656		Stud
25	295455		Piston Assy-Std
25	295456		Piston Assy-010
25	295457		Piston Assy-020
25	295458		Piston Assy-030
25	295587		Piston Assy-Std
25	295588		Piston Assy-010 (For 2-3/8" Bore)
25	295589		Piston Assy-020 (For 2-3/8" Bore)
25	295590		Piston Assy-030 (For 2-3/8" Bore)

Footnotes:

on cables molded into ignition coil
Do Not Use with 260898 Gov. Link (Ref. 201)



★ REQUIRES SPECIAL TOOLS TO INSTALL
SEE REPAIR INSTRUCTION MANUAL

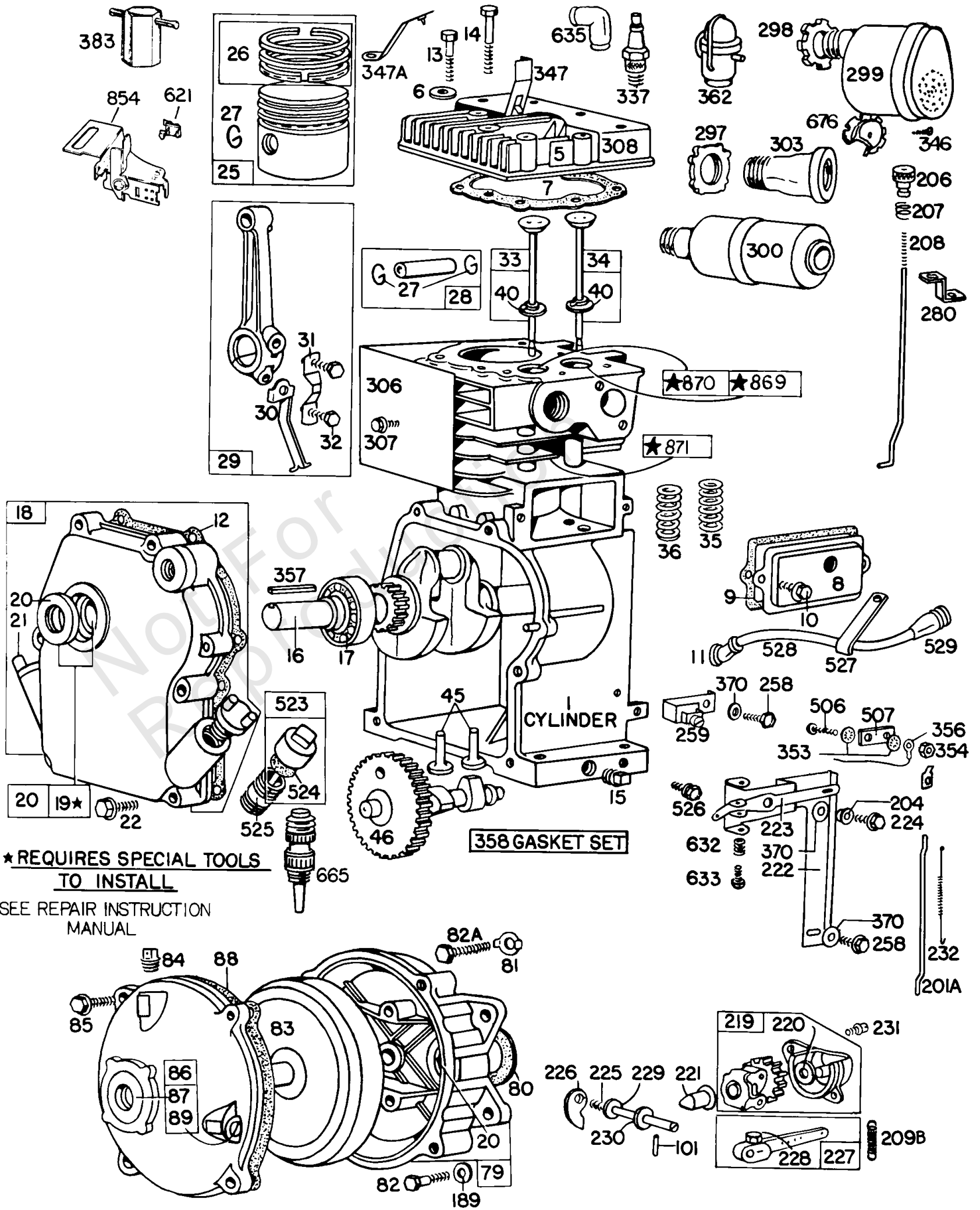
358 GASKET SET

Cyl, Gear Case, Muffler, Piston

REF NO	PART NO	QTY	DESCRIPTION
26	294224		Ring Set-010 (.010" O.S.)
26	294225		Ring Set-020 (.020" O.S.)
26	294226		Ring Set-030
26	294232		Ring Set-Std (Std.)
26	295657		Ring, Piston Kit (Std.)
26	295658		Ring, Piston Kit (.010" O.S.)
26	295659		Ring, Piston Kit (.020" O.S.)
26	295660		Ring, Piston Kit (.030" O.S.)
26	297201		Ring Set-Std Chr
27	26026		Lock-Piston Pin
28	298908		Pin-Piston 005 (.005" O.S.)
28	298909		Pin-Piston
29	294367		Rod-Connecting (Standard) -For Connecting Rod with .020" undersize Crankpin Bore-order No. 296079
30	220670		Dipper-Connecting Rod
31	220756		Lock-Connecting Rod Screw
32	92296		Screw-Connecting Rod
33	296676		Valve-Exhaust (Grooved Stem-Includes Retainer No. 93312)
34	296677		Valve-Intake (Grooved stem-includes Retainer)
35	260552		Spring, Valve
36	26478		Spring, Valve (Exhaust)
40	230126		Pin-Valve Spring Set
40	23184		Retainer-Valve Spring
40	23187		Pin-Locating -(Use with valves with hole in stem except with rotocap)
40	292259		Retainer-Valve (Exhaust)
40	93312		Retainer, Spring (Used With Valves With Groove In Stem)
45	230173		Tappet-Valve
46	210453		Gear-Cam
79	290779		Case-Reduction Gear
80	27667		Gasket-Gear Case
81	220234		Lock-Screw Head
82A	92279		Screw, Hex Head Cap (5/16-24 X 1/2")
82	91541		Screw, Hex Head Cap (5/16-24 X 7/8")
84	92617		Screw-Gear Case Mounting Sem
85	92747		Screw, Sem Hex Hd M -(Used on Two Top Holes to Mount Cover)
87	19011		Seal-Oil
88	27313		Gasket-Gear Case Cover
89	92015		Plug/Oil Drain (1/8" Pipe Thread) -Used Before Code Date 6304180
89	93448		Plug, Pipe (Flush) (1/4-18 Nptf) -Used After Code Date 6304170
101	93043		Pin-Throttle Stop And Governor Shaft
189	90366		Lockwasher, Zinc Pl
201A	260565		Link-Governor -Used only on Mechanical Governor
204	23688		Bushing-Lever (With 3/8" Dia. Flange)
206	230149		Nut-Gov Adjusting (#5-44 Thread)

Footnotes:

on cables molded into ignition coil
Do Not Use with 260898 Gov. Link (Ref. 201)



★ REQUIRES SPECIAL TOOLS TO INSTALL

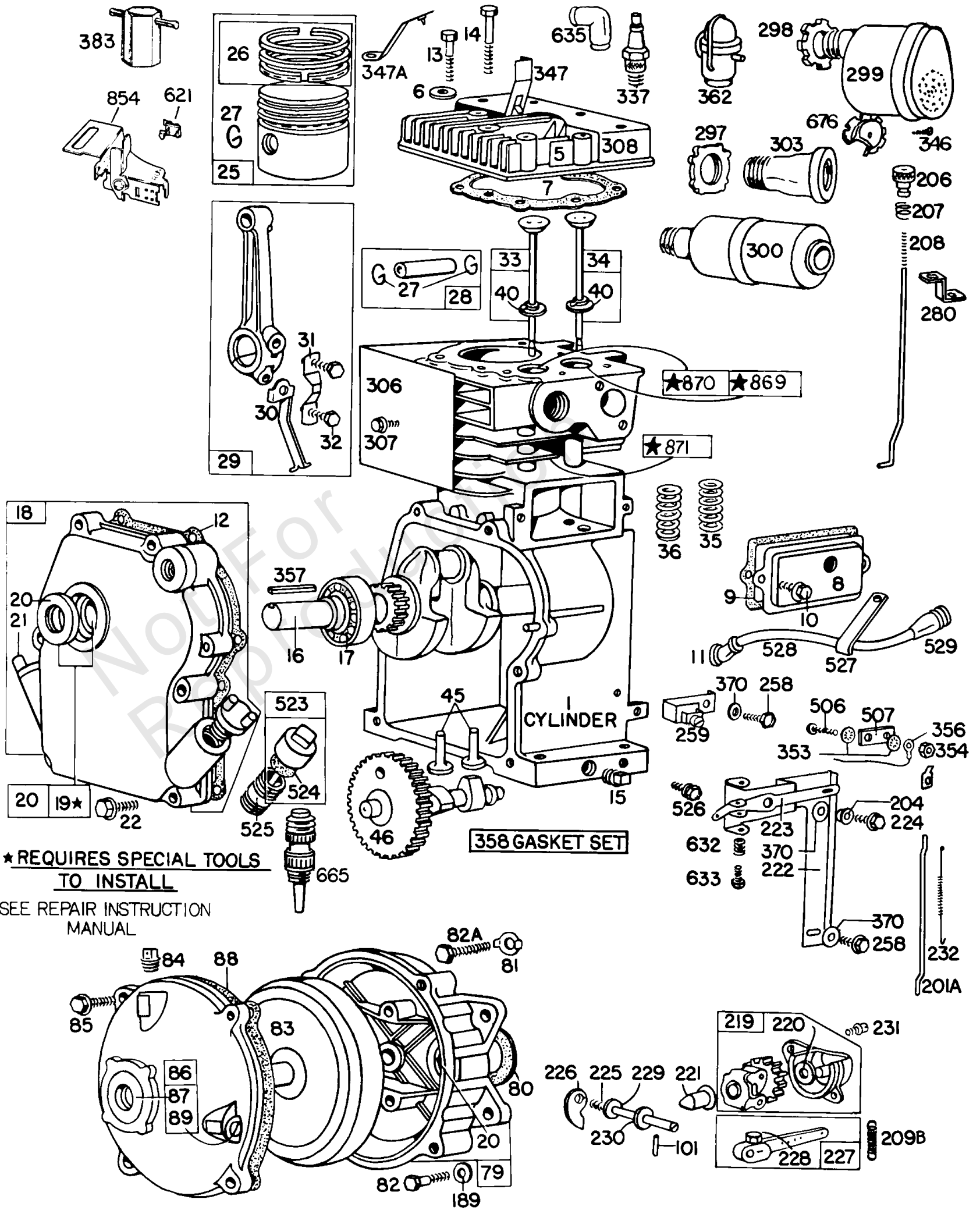
SEE REPAIR INSTRUCTION MANUAL

Cyl,Gear Case,Muffler,Piston

REF NO	PART NO	QTY	DESCRIPTION
207	26855		Spring-Governor Control Rod
208	230680		Rod-Control
209B	260546		Spring-Throttle Return -Used only on Mechanical Governor
219	296688		Governor Housing And Gear Assembly
220	221361		Washer-Thrust (.030" Thick)
221	230177		Cup-Governor
222	220691		Bracket-Mechanical Governor
223	221389		Lever-Governor Control
224	93067		Screw, Sem Hex Head (3/8" Long)
225	230181		Shaft-Governor Lever
226	220381		Follower-Governor Crank
227	296087		Lever Assy.-Governor
228	93100		Screw-Governor Lever Mounting
229	220680		Washer, Steel
230	22868		Washer-Spacer
231	93064		Screw-Sem
232	260478		Spring, Link Used On Mechanical Governor
258	93062		Screw, Hex Head Tap
259	294502		Bracket-Control Wire Casing
280	221384		Strap-Control Rod
297	91811		Locknut-Exhaust Elbow
298	220859		Locknut, Muffler/EI
299	392811		Muffler Grp (Lo-Tone)
299	394781		Guard-Muffler -Uses: 93606 Screw (Guard to Muffler Mounting) 62199 Washer (Guard to Bracket) 93873 Screw (Guard to Bracket Mounting)
300	89966		Muffler-Exhaust
303	91838		Elbow-Exhaust (45 Degrees Street)
306	220478		Shield-Cylinder
307	93490		Screw-Hex
337	293918		Spark Plug,resistor
346	93705		Screw, Tapping Hex (8-32 X 3/8)
347A	298926		Sparkplug Stop Sw
347	220884		Switch-Stop
347	221808		Switch-Stop
353	92791		Lockwasher, Interna
354	90576		Nut, Hex (8-32)
356	296185		Wire, Stop Switch A Used On Choke-A Carburetors
356	391115		Wire-Ground
357	91539		Key, Pulley (3/16" Square)
358	297275		Gasket Set -(Used with Rotary Choke Carburetors)
362	291630		Shield, Spark Plug (With Stop Switch)
370	66432		Washer, Steel Zinc
383	89838		Wrench-Spark Plugs
506	90200		Screw-Slotted (8-32 X 1/2")
507	66895		Insulator-Terminal
523	69345		Cap-Oil Filter

Footnotes:

on cables molded into ignition coil
Do Not Use with 260898 Gov. Link (Ref. 201)



★ REQUIRES SPECIAL TOOLS TO INSTALL
SEE REPAIR INSTRUCTION MANUAL

358 GASKET SET

Cyl, Gear Case, Muffler, Piston

REF NO	PART NO	QTY	DESCRIPTION
524	65304		Gasket-Oil Filler Cap
525	91258		Dipstick Tube (2-1/2" Long) -Use 394884 Adaptor-Oil Filler with Nipple
526	93343		Screw, Tapping Hex
527	221279		Tube Clamp (Used With Pull Choke Carburetors)
528	230634		Tube-Breather (Used With Pull Choke Carburetors)
529	67608		Grommet -(Used with Pull Choke Carburetors)
621	297472		Switch, Stop Assy
632	260575		Spring-Throttle Adjustment
633	93364		Screw-Machine, Rd. Hd. 6-32 X 7/8"
635	66538		Elbow-Spark Plug
665	298858		Oil Minder
676	393760		DEFLECTOR, Muffler
854	392884		Stop-Switch
869	210879		Seat-Valve (Intake) -For Options see Repair Manual
870	211291		Seat-Valve (Exhaust) -For Options see Repair Manual
871	63709		Bushing-Guide (Brass)

Not For
Reproduction

Footnotes:

on cables molded into ignition coil
Do Not Use with 260898 Gov. Link (Ref. 201)

Replacement Engine

REF NO	PART NO	QTY	DESCRIPTION
	831320035	1	Replacement Engine
	-----		Top No-Load Speed: 3900 -Trim: ALL
	-----		Service Note: For all Go-Karts use only a Model 136200 series engine as a replacement, regardless of the original Model.
	-----		Service Note: Replacement engine listed is not available in the State of California. Repair with individual parts.
	-----		Service Note: If the replacement engine supersedes to or is a Model 83100 series engine, refer to the illustrations located after the conversion data for this model series. The overall dimensions which differ, are shown in the illustrations.
	-----		Service Note: If after making a visual inspection and it is determined that the Model 83100 series engine cannot be used because of equipment interference, the engine should be repaired with a short block and/or individual parts.

Not For
Reproduction

