

1991 Mazda MX-5 Miata

WIRING DIAGRAMS 1991 WIRING DIAGRAMS Mazda

WIRING DIAGRAMS

1991 WIRING DIAGRAMS Mazda

IDENTIFICATION

COMPONENT LOCATION MENU

COMPONENT LOCATIONS

Component	Figure No. (Location)
A/C RELAY	3 (D-E 11)
A/C THERMO SWITCH	3 (E 8-9)
A/T CONTROL UNIT	6 (E 20)
ABS CONTROL UNIT	5 (C-E 19)
AIRBAG CONTROL UNIT	5 (A-B 16)
ALTERNATOR	1 (D 3)
BACK-UP BATTERY	5 (A 16)
BACK-UP LT SW	6 (D 23)
BLOWER MOTOR RELAY	3 (D 9)
CIG LIGHTER	3 (C 9)
CIRCUIT OPENING RELAY	2 (C 4)
CLUTCH SWITCH (M/T)	2 (E 7)
COMBINATION SW	4 (C-E 12), 5 (C-D 16)
COOLING FAN RELAY	3 (E 10)
CRUISE CONTROL MAIN SW	4 (C 15)
CRUISE CONTROL UNIT	4 (D-E 15)
DIAG CONNECTOR	2 (A-B 4)
DIR/HAZ FLASHER	4 (C-D 14-15)
ENGINE CONTROL UNIT (ECU)	2 (A 4-7)
FOG LIGHT SWITCH	4 (C 12)
FUEL TANK UNIT	6 (A 22)
FUSE BLOCK	3 (A-B 9-10)
HEADLIGHT RELAY	4 (D 14)
HEATER CONTROL UNIT	3 (E 8)
HORN RELAY	5 (C 17)
HYDRAULIC UNIT	5 (A-B 19)
IGNITER	2 (C-D 4)

1991 Mazda MX-5 Miata

WIRING DIAGRAMS 1991 WIRING DIAGRAMS Mazda

IGNITION SWITCH	3 (A 8)
INHIBITOR SWITCH (A/T)	1 (A 3)
INSTRUMENT CLUSTER	4 (A 12-15)
JOINT CONNECTOR	5 (B 17)
MAIN RELAY	2 (E 4)
O/D OFF SWITCH	6 (D 21)
PANEL LIGHT CONTROL SWITCH	4 (B 12)
POWER WINDOW MAIN SWITCH	6 (A 20-21)
RELAY & MAIN FUSE BLOCK	1 (B-C 2-3)
RETRACTOR RELAY	1 (D-E 2)
RETRACTOR/HAZARD SWITCH	4 (C 13-14)
SHIFT LOCK ACTUATOR A/T	6 (B-C 20-21)
STARTER INTERLOCK SWITCH	1 (A 3)
STARTER MOTOR	1 (A 3)
STOP LT SW	3 (C 11)
TNS RELAY	4 (E 14)
W/SHIELD WIPER MOTOR	1 (E 3)
WARNING BUZZER	3 (D 11)
WASHER MOTOR	1 (E 3)

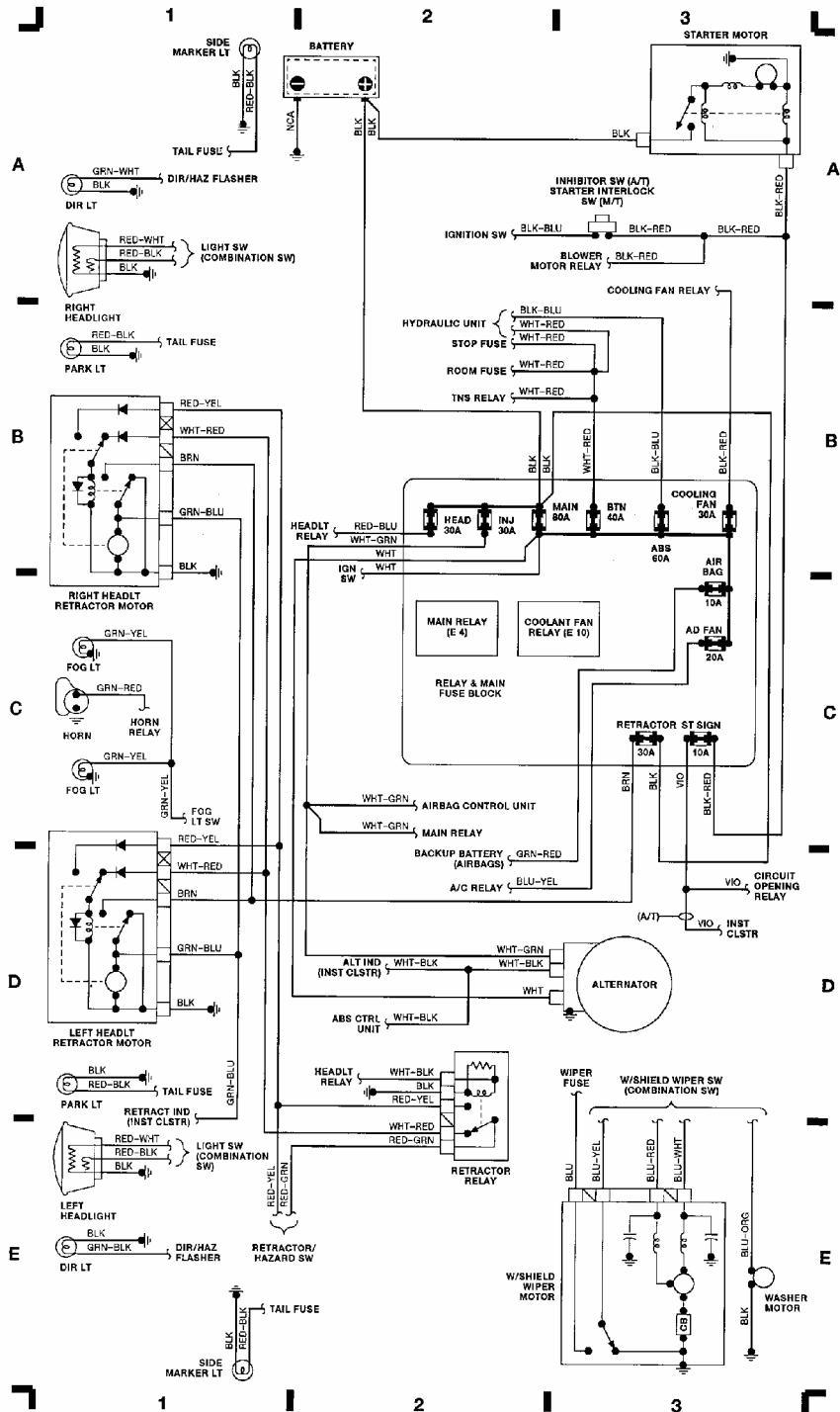
WIRING DIAGRAMS

1991 Mazda MX-5 Miata

WIRING DIAGRAMS 1991 WIRING DIAGRAMS Mazda

COMPONENT LOCATOR:

A/O RELAY	D-E 11
A/O THERMO SW	F 8-9
A/T CONTROL UNIT	E 29
ABS CONTROL UNIT	C-E 19
AIRBAG CONTROL UNIT	A-B 16
ALTERNATOR	D 3
BACK-UP BATTERY	A 18
BACK-UP LT SW	D 23
BLOWER MOTOR RELAY	C 9
CIRCUIT OPENING RELAY	C 4
CLUTCH SW (M/T)	E 7
COMBINATION SW	C-E 12/C-D 16
COOLANT FAN RELAY	C 10
CRUISE CONTROL MAIN SW	C 16
CRUISE CONTROL UNIT	D-E 18
JUG COIN	A-9 4
DIR/HAZ FLASHER	C-D 14-15
ENGINE CONTROL UNIT (ECU)	A 4-7
FOG LT SW	D 12
FUEL TANK UNIT	A 22
FUSE BLOCK	C 17
HEAD LT RELAY	A-9 9-10
HEATER CONTROL UNIT	E 8
HORN RELAY	A-9 19
HYDRAULIC UNIT	A-9 8
IGNITER	C-D 4
IGNITION SW	A 6
INHIBITOR SW (A/T)	A 3
INST CLSTR	A 12-15
INST CONN	B 17
MAIN RELAY	E 4
DI/D OFF SW	D 21
PANEL LIT CONTROL SW	B 12
POWER WINDOW MAIN SW	A 20-21
RELAY & MAIN FUSE BLOCK	B-C 2-2
RETRACTOR RELAY	D-5 2
RETRACTOR/HAZARD SW	C 13-14
SHIFT LOCK ACTUATOR (A/T)	B-C 20-21
STARTER INTERLOCK SW	A 3
STARTER MOTOR	A 3
STOP LT SW	E 11
TNS RELAY	E 14
W/SHIELD WIPER MOTOR	E 3
WARNING BUZZER	D 11
WASHER MOTOR	E 3

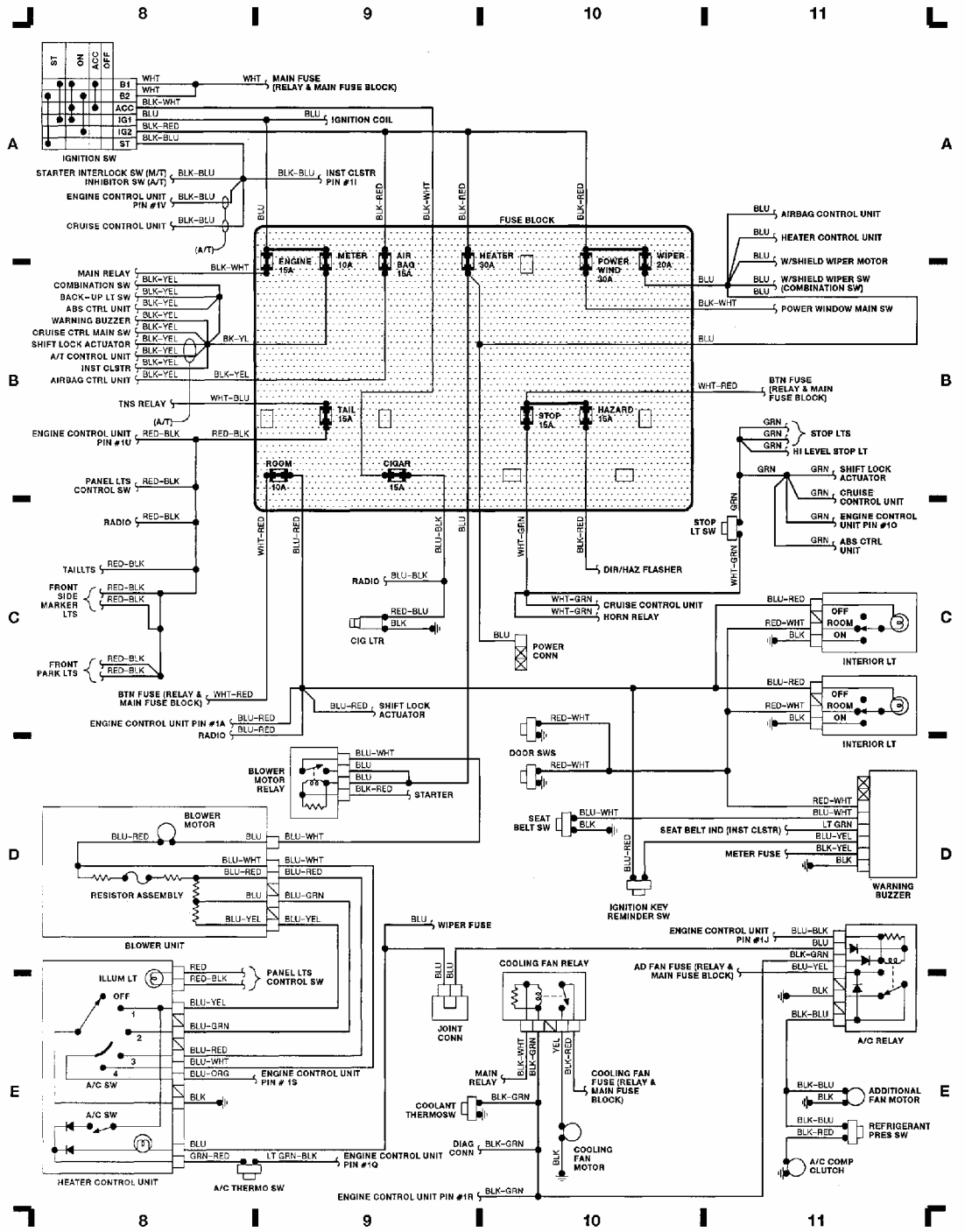


92B11768

Fig. 1: Engine Compartment, Headlights (Grid 1-3)

1991 Mazda MX-5 Miata

WIRING DIAGRAMS 1991 WIRING DIAGRAMS Mazda

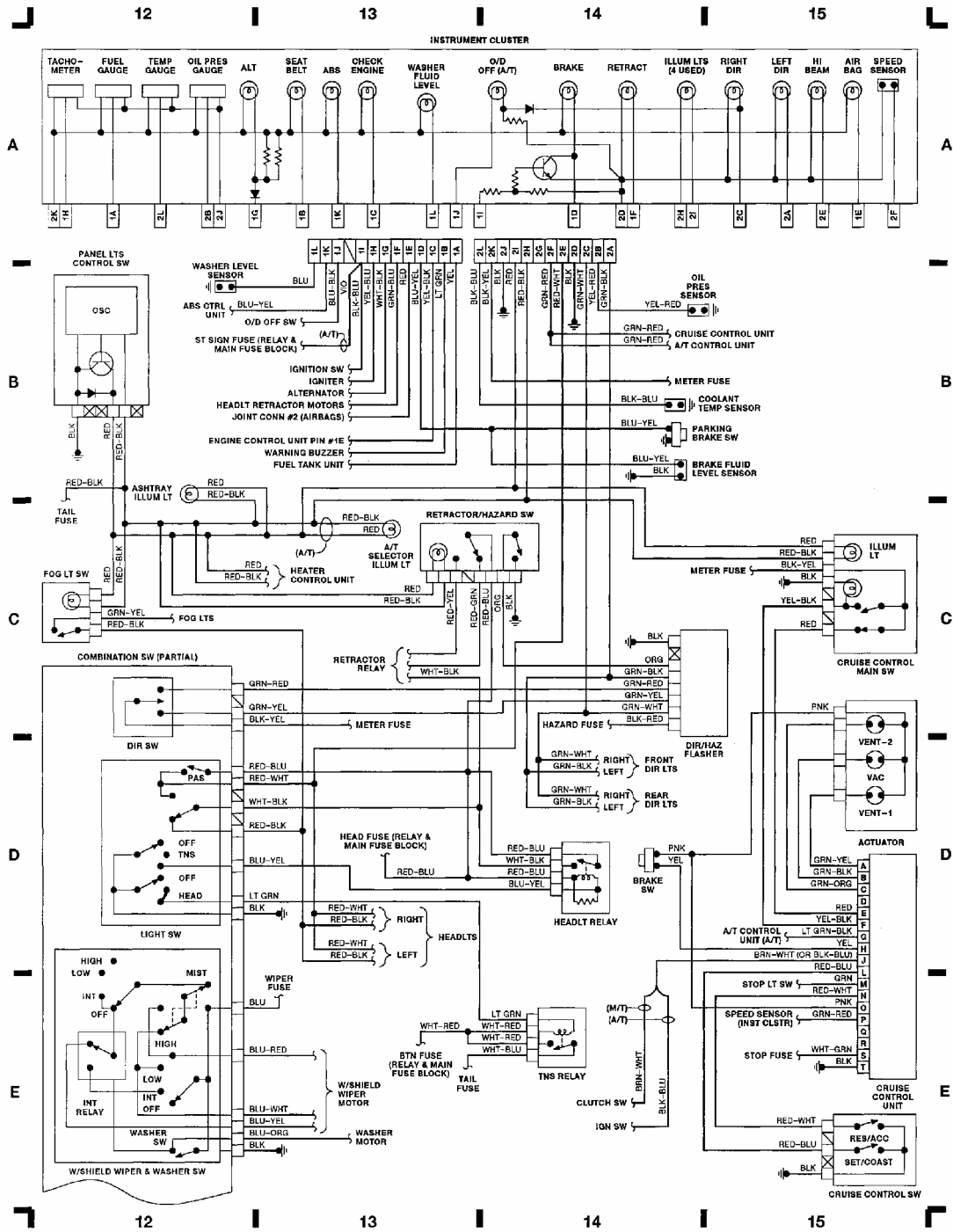


92F11770

Fig. 3: Fuse Block, Heater (Grid 8-11)

1991 Mazda MX-5 Miata

WIRING DIAGRAMS 1991 WIRING DIAGRAMS Mazda

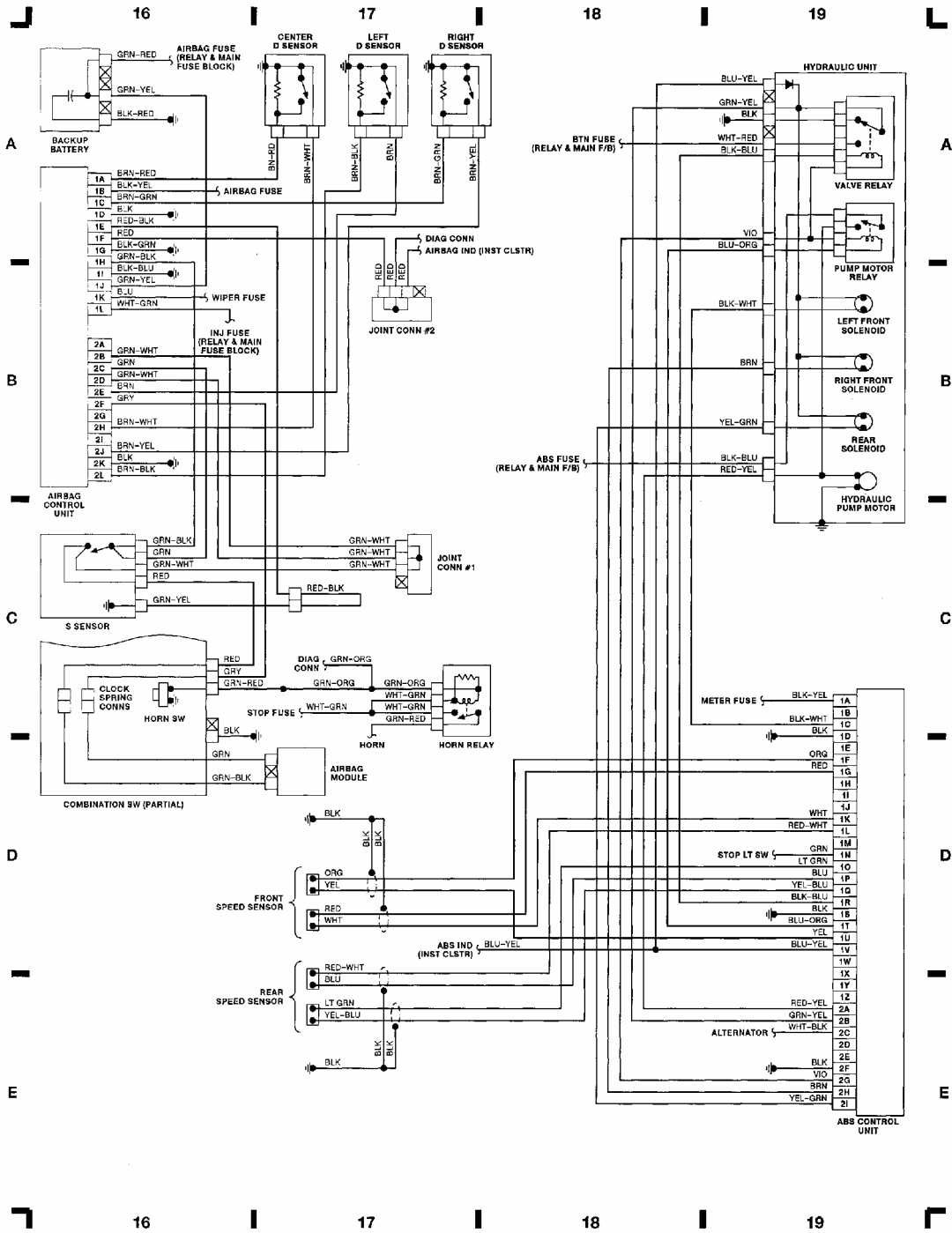


92G11771

Fig. 4: Instrument Cluster, Comb Sw, Cruise Ctrl (Grid 12-15)

1991 Mazda MX-5 Miata

WIRING DIAGRAMS 1991 WIRING DIAGRAMS Mazda

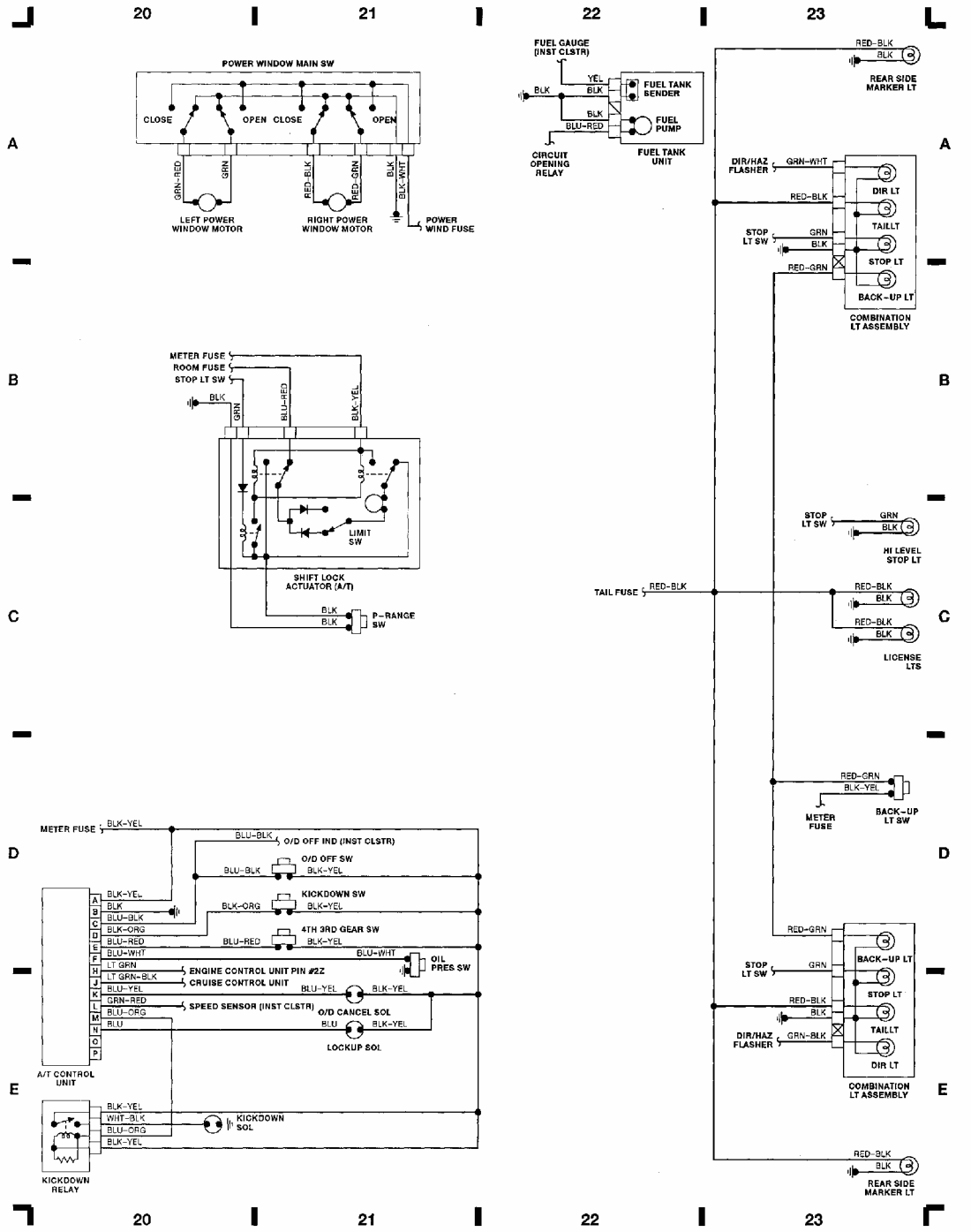


92H11772

Fig. 5: ABS, Air Bag, Hydraulic Unit (Grid 16-19)

1991 Mazda MX-5 Miata

WIRING DIAGRAMS 1991 WIRING DIAGRAMS Mazda



92111773

Fig. 6: Power Window, Taillights, A/T Ctrl Unit (Grid #-#)